

KEYPAD + DISPLAY INTERFACE

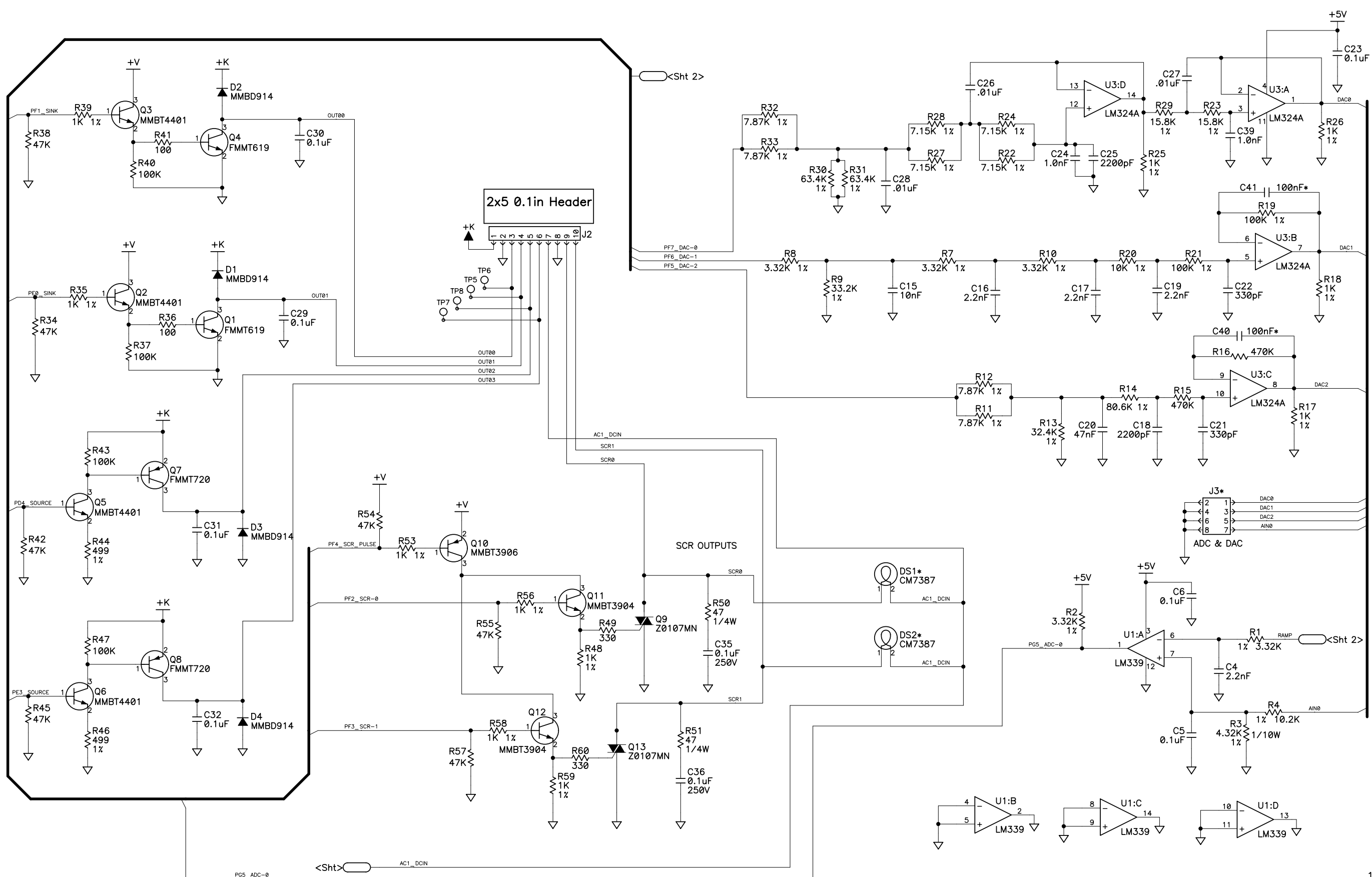
2.54MM SPACING
SOCKET STRIPS INSTALLED

RS232

2x5 0.1in Header
RS232

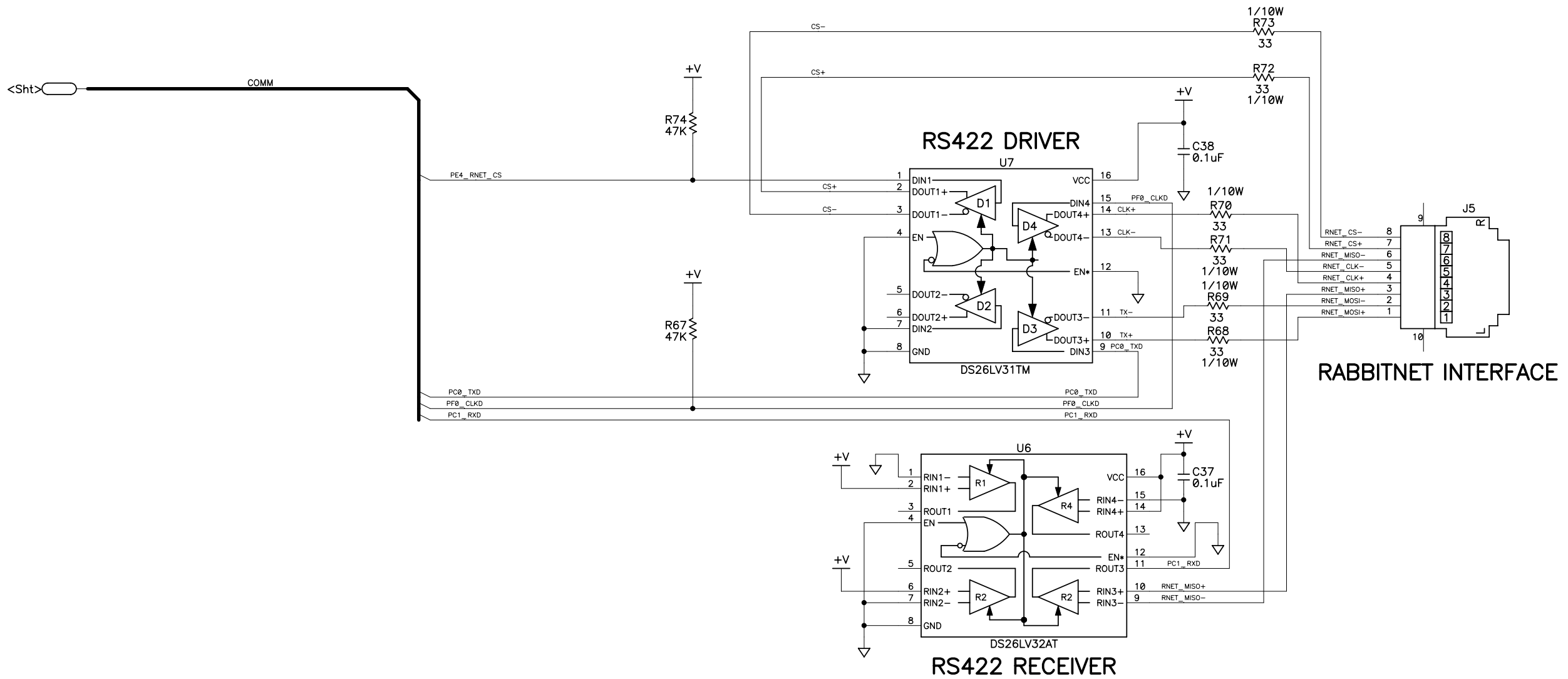
1/4/05

SIZE	DWG NO.		
B	090-0194		
SCALE	NONE	REV LTR	D
SHEET	2	OF	4



1/4/05

SIZE B	DWG NO. 090-0194
SCALE NONE	REV LTR D
SHEET 3 OF 4	



RABBITNET INTERFACE

SIZE B	DWG NO. 090-0194
SCALE NONE	REV LTR D
SHEET 4	OF 4